

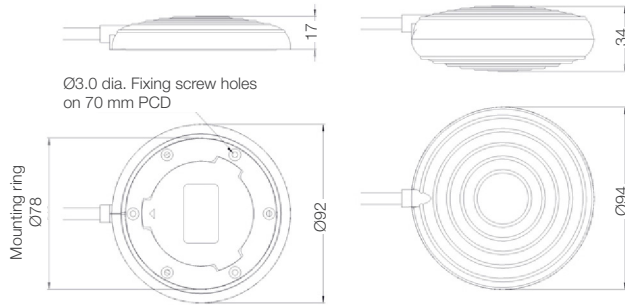
6448 Foot Bellows

- Low profile, easy to operate foot bellows
- For free standing applications or secured with a built in mounting
- Available as twin foot bellows (see 6447) and with convex top and base
- Baseplate material - rigid polymer
- Bellows material - flexible polymer



New base option - please contact sales for more information

Reference dimensions mm



Note: To remove mounting ring from bellows as supplied, insert a 3 mm dia. bar in one of the holes & twist anti-clockwise through 41°. Mounting ring can be used as a template for drilling/tapping holes in mounting face.

Ordering and options

Stock model: 6448-AAAB-0000

6448 - [] [] [] [] - 0 0 0 []

Model

Tube entry

- A Side tube entry, flat base with mounting ring
- B Side tube entry, flat base without mounting ring
- C Back entry spout, flat base with mounting ring
- D Back entry spout, flat base without mounting ring
- E Side tube entry, flexible base (double volume)

Colour option

- A Black
- B Grey
- C White
- D Red
- F Green

Tube type

- A Black tubing with 3mm I/D and 6mm O/D
- B Clear tubing with 3mm I/D and 6mm O/D
- C Black tubing with 1.5mm I/D and 3mm O/D
- Z None required

Tube length

- A 1.5m
- B 2m
- C 3m
- D 4m
- E 5m
- F 6m
- G Curly coil tube (2.4M ext.)
- Z None supplied

Note: To remove mounting ring from bellows as supplied, insert a 3.0mm bar in one of the holes and twist anti-clockwise through 41°. Mounting ring can be used as a template for drilling/tapping holes in mounting face.

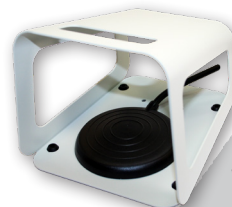
General specifications

Standards/approvals	n/a
Connection method	Tubing 3mm I/D or 1.5mm I/D (back entry only)

Operating temperature range	-10°C to +40°C
Body material	Thermoplastic
Weight	0.1kg

Accessories

Part Number	Description
6202-0008	Single Black RAL 9005 guard for 6448
6202-0009	Single Grey RAL 7035 guard for 6448



With special 6202 Guard