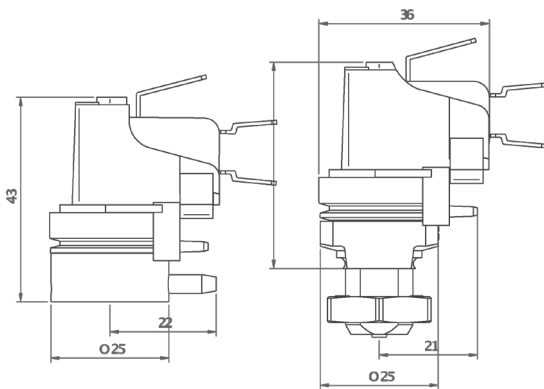


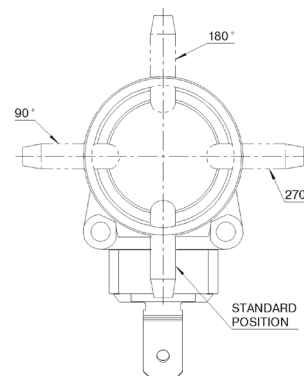
- Double insulated for conductive media
- Multiple cap and spout options available
- Gold contacts available
- Other pressures available up to 690 mbar
- Temperature compensation options available



Reference dimensions in mm



### SE Cap Positions



### General specifications

Standards/approvals	EN 60335-2-60
Degree of protection	N/A
Connection method	Via back or side entry spouts, 4 mm Ø or 2 mm Ø
Electrical rating	See table below
Contact configuration	SPCO

Activation Point	20 mbar to 690 mbar
Operating temperature range	-5°C to +70°C
Body material	Thermoplastic
Weight	0.023 kg

## Ordering and Options

6773 - A [ ] [ ] [ ] [ ] - A [ ] [ ] [ ]

### Model

#### Activation Pressure

- A 50 mbar +/- 50% (0.1A & 10A) 100 mbar +/- 50% (21A)

#### Caps

- A Side entry standard length spout, 4 mm Ø standard orientation
- B Side entry standard length spout, 4 mm Ø rotated to 90°
- C Side entry standard length spout, 4 mm Ø rotated to 180°
- D Side entry standard length spout, 4 mm Ø rotated to 270°
- E Side entry long spout, 4 mm Ø standard orientation
- F Side entry long spout, 4 mm Ø rotated to 90°
- G Side entry long spout, 4 mm Ø rotated to 180°
- H Back entry short thread / spout, 4 mm Ø not suitable for O ring
- J Back entry long thread / spout, 4 mm Ø
- K Back entry long thread / spout, 2 mm Ø
- L Back entry long thread / spout, 4 mm Ø rotated to 90°

#### Temperature Compensation Options

- A Without
- B With

#### Nut Specification

- A Black moulded nut
- B Black moulded nut and O ring (only available with cap options J, K & L above)
- Z No nut required

#### Tag Configuration

- A European

#### Terminal Combinations

- A 3 tag QC 6.3 x 0.8 mm, SPCO
- C 3 tag QC 6.3 x 0.9 mm 90° crank, SPCO (Option C under Microswitch rating must be selected: 21A only)

#### Microswitch Rating

- A 0.1A 125 / 250V AC, Gold contacts (not available with option C from section above)
- B 10A 125 / 250V AC 1/4 HP, Silver contacts
- C 21A 250V AC 2 HP, 125 V AC 1 HP, Silver contacts