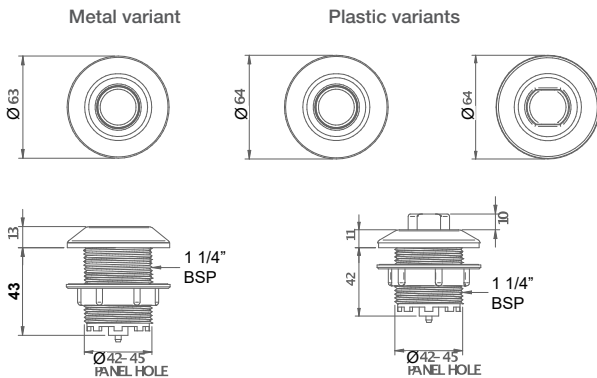


6442 Large Push Button

- Choice of button/escutcheon materials
- Choice of colours
- Choice of tube options
- Large air volume for longer tube lengths



Reference dimensions



Stock models : 6442-BAAA-A000
6442-BCCA-A000

6442 - [] [] [] [] - [] [0] [0] [0]

Model

Button type - please see note below

- A Flush double D button
- B Raised double D button (10 mm high)
- C Extended double D button (16 mm high)
- D Flush round button
- E Raised round button
- Z No button required

Button finish - please see note below

- A White
- B Brilliant white
- C Chrome
- D Gold
- F Black
- G Red
- N Chrome plated brass
- P Stainless steel
- Z None supplied

Escutcheon finish - please see note below

- A White
- B Brilliant white
- C Chrome
- D Gold
- F Black
- G Red
- N Chrome plated brass
- P Stainless steel
- Z None supplied

Bellows option

- A Bellows - Ø4 mm spout to suit 2311-01/08 tube
- B Bellows - Ø2 mm spout to suit 2311-03 tube
- Z No bellows required

Nut & washer option

- A Supplied with nut & washer
- Z No nut & washer required

Note:

Button type "D" - metal and non-plated versions only
Button finish option 'P' - stainless steel can only be supplied as a flush button

For vandal resistant version, order 6443-0001, similar to 6442-DPPA-A000 (stainless)

General specifications

| | |
|-----------------------|---|
| Standards/approvals | n/a |
| Degree of protection | EN 60529 IPX4 |
| Connection method | Via back entry spout, 4mm dia. or 2mm dia. |
| Electrical rating | n/a |
| Contact configuration | See table |
| Pressure range | Compatible with 6871, 6872, 6773, 6753, 6891, 6893, 6861, 6862, 6863, 6864, 6869 - dependent on tube length |

| | |
|-----------------------------|--|
| Operating temperature range | -10°C to +40°C |
| Body material | Thermoplastic |
| Weight | Plastic - 0.063Kg; metal - 0.2Kg |
| Additional information | Available as a vandal resistant version 6443 |