

# 6251 Heavy Duty Footswitch

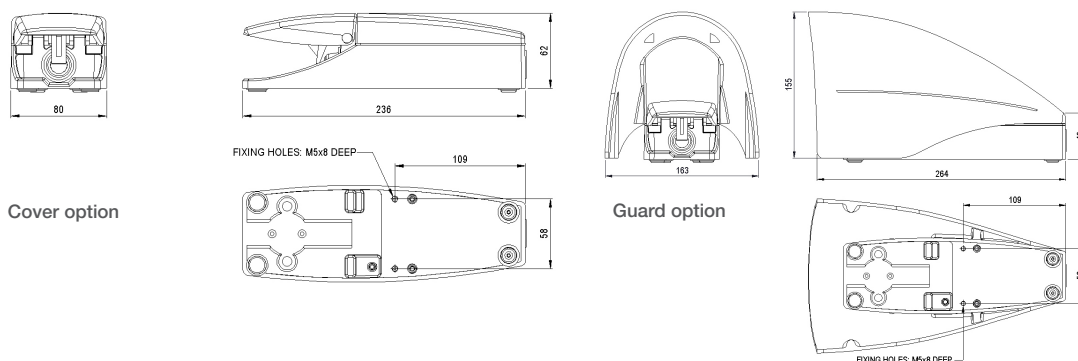


Technology Ltd

- Sturdy durable industrial footswitch
- Stylish ergonomic design
- Available in many different colors
- Customer colours and logos available on request
- Special designs according to customer specifications
- Guard with plenty of room for safety shoes
- Waterproof EN 60529 IP 67 (IP 68 on request)
- Coupling with self-lifting plates for cable to 2 x 2.5mm<sup>2</sup>
- Available ready with cable and connector



## Reference dimensions



## Ordering and options

6251- [ ] [ ] [ ] A - [ ] [ ] Z 0

### Model

### Cover and guard colours

- |                |                |
|----------------|----------------|
| A Cover Yellow | B Guard Yellow |
| C Cover White  | D Guard White  |
| E Cover Blue   | F Guard Blue   |

### Base colours available subject to MOQ – contact sales for details

- |         |         |
|---------|---------|
| A Black | B White |
|---------|---------|

### Thread/Hole information

- |  |
|--|
| A M20 Rear hole                                    |
| B PG 13.5 Rear hole                                |
| C PG 13.5 Rear hole with double M20 side holes     |
| D PG 13.5 Rear hole with double PG 13.5 side holes |

### Tread colour

- |         |
|---------|
| A Black |
|---------|

### Action/Electrical rating

- |   |
|---|
| AA Single Operation, Slow Break & Make ; AC-15 6A 250V        |
| BB Single Operation, Snap Break & Make ; AC-15 6A 250V        |
| CB Latching, Snap Break & Make ; AC-15 6A 250V                |
| DB Double Operation, Snap Break & Make ; AC-15 6A 250V        |
| EA Double Operation, Slow Break & Make ; AC-15 6A 230V        |
| FE SPCO + SPCO Staggered Snap Single Break, V3 ; 21A 250V AC  |
| FF SPCO + SPCO Staggered Snap Single Break, V3 ; 0.1A 250V AC |
| FG SPCO + SPCO Staggered Snap Single Break, V3 ; 25A 250V AC  |
| GE DPCO Snap Single Break, V3 Silver Contacts ; 21A 250V AC   |
| GF DPCO Snap Single Break, V3 Gold Contacts ; 0.1A 250V AC    |
| GG DPCO Snap Single Break, V3 Silver Contacts ; 25A 250V AC   |

### Emergency stop

- |                            |
|----------------------------|
| Z No emergency stop fitted |
|----------------------------|

Double pedal versions with/without guard available, to find out more, talk to our sales department.



# 6251 Heavy Duty Footswitch



Technology Ltd

## General specifications

Standards/approvals	EN60204-1 with switching to meet EN60947-5-1, DIN VDE 0660-200, IEC 60947-5-1	Operating temperature range	-25°C to +60°C
Degree of protection	EN 60529 IP67 (IP68 upon request)	Body material	Die cast aluminium
Connection method	Internal terminal block, cabled versions available upon request	Weight	Cover/unguarded 1Kg or 1.5Kg guarded
Electrical rating	See ordering & options	Average mechanical life	1 x 10 <sup>6</sup> operations
Contact configuration	See ordering & options	Additional information	The electrical housing has an environmental rating of IP67. To achieve this, a minimum torque of 1.7N should be applied to the two enclosure screws

Options A&B in Electrical rating section	Options H&J in Electrical rating section
Rated operating voltage	500V AC, over 380V AC same potential only

Rated operational current	AC 40 - 60 Hz			AC 50 - 60 Hz	
	Le/AC-12 (A)	Ue (V)	Le/AC-15 (A)	Ue (V)	Le/AC-15 (A)
	10	24	10	230	3
	10	125	10		
	10	230	6		
	10	400	4		
	10	500	3		

Limit switches also available with Gold contacts

Note: When the footswitch is supplied with a pre-wired cordset, the cordset rating takes precedence over the footswitch rating. The rating will be marked on the cordset

Electrical Life Expectancy at Category AC-15	0.5 X 10 <sup>6</sup> switching cycles when interrupting 6A AC-15 at 250V			
Contact configuration	Normally open + normally closed positive opening operation to EN 60947-5-1			
Contact Gap	>3mm, suitable for mains isolation			
Terminals	Screw terminals and self-lifting clamp for connection of flexible leads min. 2 x 1.5 mm <sup>2</sup> - max. 2 x 2.5 mm <sup>2</sup>		Screw terminals for connection of flexible lead wire min. 1 x 0.5 mm <sup>2</sup> - max. 2 x 2.5 mm <sup>2</sup>	
Action Type from Order Code	A	B	D	E
Limit switch action	1 Pole Slow Make Slow Break	1 Pole Snap Action	2 Pole Snap Action	2 Pole Slow Make Slow Break

In all applications except where protective extra low voltage (PELV) circuits are being switched, an earth conductor must be installed. The earth conductor should be rated in accordance with the prevailing standards.

Microswitch standards: EN 60730, EN 61058  
Microswitch Approvals: ENEC, CSA, UL

21A microswitch				
Average life expectancy	Mechanical	1.0 X 10 <sup>6</sup>		
	Electrical	2.0 X 10 <sup>5</sup> @ 10A	1.0 X 10 <sup>4</sup> @ 21A	
Max. electrical load				
	Voltage (V)	Resistive (A)	Inductive (A)	Motor (Pf0.75)
AC	250V	21A		2HP
	250V	21A	8A	1HP
	125V	21A		
25A microswitch				
Average life expectancy	Mechanical	1.0 X 10 <sup>6</sup>		
	Electrical	1.0 X 10 <sup>5</sup> @ 1.0A		
Max. electrical load				
	Voltage	Resistive (A)	Inductive (A)	Motor (Pf0.75)
AC	250V	25A		2HP
	250V	25A		2HP
Gold contact microswitch				
Average life expectancy	Mechanical	1.0 X 10 <sup>6</sup>		
	Electrical	2.0 X 10 <sup>5</sup> @ 0.1A		
Max. electrical load				
	Voltage	Resistive (A)	Inductive (A)	Motor (Pf0.75)
AC	250V	0.1A		N/A
UL/CSA	125V	0.1A	0.05	N/A
Note	Dry Switching: These switches must be used for low power circuits i.e. low current (4 to 100 mill amperes) and low voltage (below 30V), consult herga for further advice.			

