

6226 Bluetooth® Transmitter

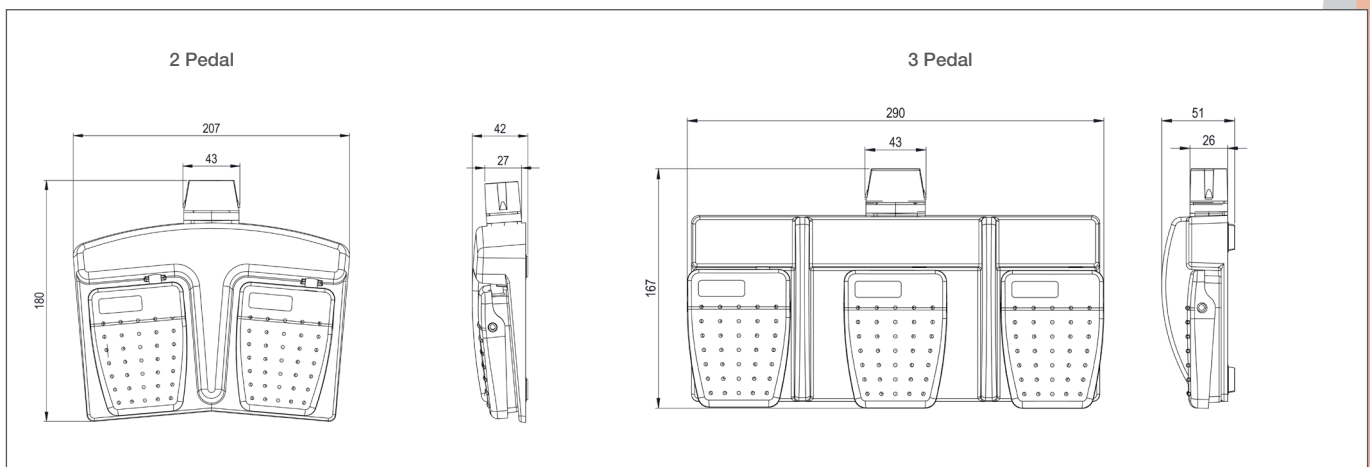


Technology Ltd

- Secure PAN (Personal Area Network), with up to 2 transmitters
- Ultra low power with 1µA sleep current
- Range: Nominally 10 m (up to 25 m line of sight, Latency may increase with range)
- Selectable Latency:
 - Setting 1. Typically <150 ms at 10 m
 - Setting 2. Typically <75 ms at 10 m
- LED indication of battery status
- Choice of 15 or 60 minutes timeout for further battery conservation
- Auto wake from sleep/re-connect on press of the pedal
- Externally accessible IPx7 battery compartment
- Runs on commercially available Alkaline cells



Reference Dimensions mm

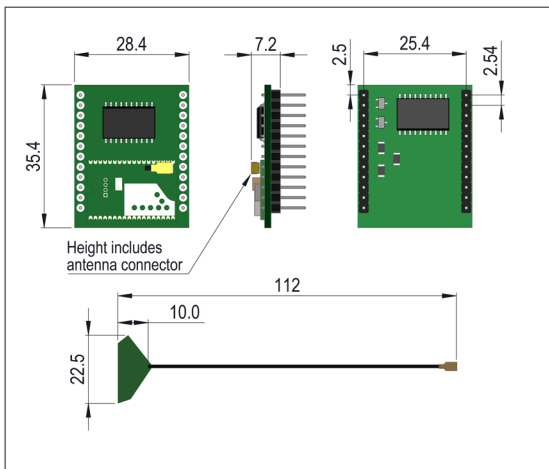


Specifications

Supply rating	Receiver: 5 - 24V DC Footswitch: 2 x AAA Alkaline batteries	Operating temperature	0 to +40°C
Output configuration	Open collector transistor outputs, (24V DC 100mA Max.)	Body material	Thermoplastic
Degree of protection	EN 60529 IPx7	Standards/approvals	Low Voltage Directive 2014/35/EU, REACH, RoHS & WEEE
Connections	Receiver connections via 2.54 mm pitch PCB pin header, suitable for connections to LEDs and push button or microcontrollers: <ul style="list-style-type: none"> • Transistor Output • 1 pairing button Input • 1 pairing process indication output • 1 battery level indication output • 2 transmitter connection status indication outputs • Sleep timeout select input • Latency Select Input, typically <100mS or <200mS for extended battery life • Power Connections 	Radio type approvals	Europe (ETSI RED) US (FCC/CFR 47 part 15 unlicensed modular transmitter approval) Canada (IC RSS)
		Certification and compliance	Radio Equipment Directive 2014/53/EU: <ul style="list-style-type: none"> • Effective use of frequency spectrum: EN 300 328 • EMC: EN 301 489-1, EN 301 489-17, EN 61000-6-2 • Health and safety: EN62479, EN 60950-1 Medical Device Directive 93/42/EEC: <ul style="list-style-type: none"> • EN 60601-1-2 Compliant (Customer's risk assessment required) • EN 60601-1

The Bluetooth® word mark and logos are registered trademarks owned by Bluetooth SIG, Inc. and any use of such marks by Herga Technology is under license. Other trademarks and trade names are those of their respective owners.

Receiver reference dimensions mm



Ordering & Options



Footswitch

Number of pedals	2	2 Pedal
	3	3 Pedal

Cover colour (Pedals 1-3, from left to right)	A	Black
	B	Grey
	C	Yellow
	D	Green
	L	Blue
	N	Orange
	X	No option chosen

Label	000	Standard Herga labels
	001 through to 099	Indicates custom labelling Number to be advised by Herga

6226 BLE - [] [] [] [] - [] [] []

Example: 6226-BLE-2-LCX-001

6311 BLE - 0 0 1

Receiver

001	- 8 open collector transistor outputs
002	- Housed, 6 relay outputs
XXX	- Customer specific

