

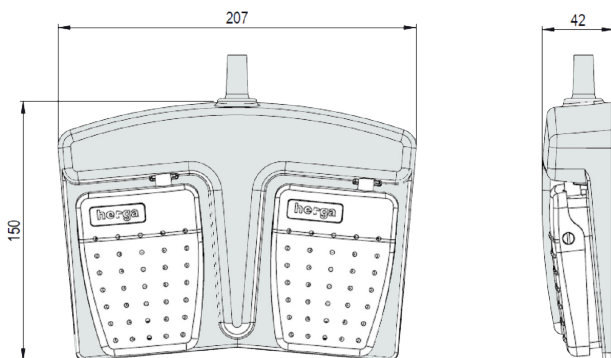
6226 - 0003 Footswitch

Special double-pedal version of 6226 series footswitch with IPX7 rating

- Low profile, rear hinged switch designed for improved user comfort
- Grey cover with Herga logo fitted on a black base
- Fitted to a black moulded 2 pedal base
- Momentary action with normally open contacts
- Option for customers to fit own cable



Reference dimensions



The 6226-0003 is a stock model

General specifications

Standards/approvals Footswitch : UUL file reference E353500
ANSI/AAI ES60601-1, A1:2012, C1:2009/(R) 2012 and A2:2010 (R) 2012
CSA CAN/CSA-C22.2 No 60601-1-14
IEC 60601-1 Ed 3.1 (2012)
EN 60601-1:2006 & A1:2013 & A12:2014
BS EN 62368-1:2014 & A11:2017

Degree of protection EN 60529 IPX7

Connection method 2 metres of 3-core cable

Max. electrical rating 3A 24VAC/DC

Contact configuration Normally Open contacts

Action Momentary

Operating temperature range -20°C to +60°C

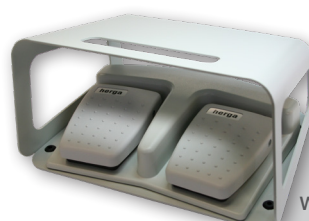
Body material Thermoplastic

Weight 550 grams (including cable)

Additional information Customized versions available (logos, cordsets, colours, guards)

Accessories

Part Number	Description
6202-0001	Single Black RAL 9005 guard
6202-0002	Single Grey RAL 7035 guard
6202-0003	Twin Grey RAL 7035 guard



With 6202 Guard