

6203-0001 Latching Safety Guard

herga

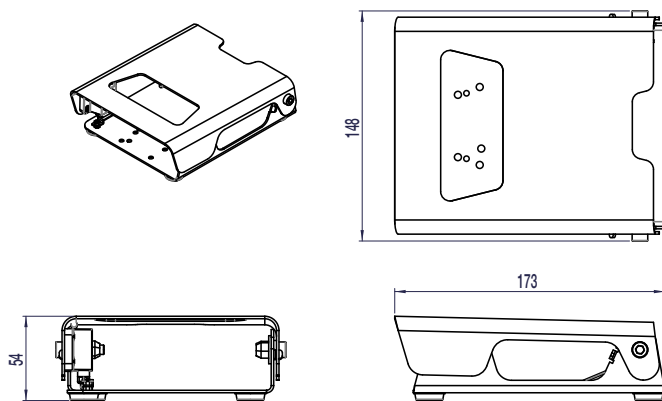
Technology Ltd

- Mild steel safety guard with painted finish
- Protection against unintentional actuation
- Ideal for laser applications
- Suitable for 6210,6219,6225,6226,6229,6254 & 6289 footswitches. Including Bluetooth models
- Painted Grey RAL 7035
- Fitted with non-slip rubber feet
- Handle cut out
- Approx. weight 620g

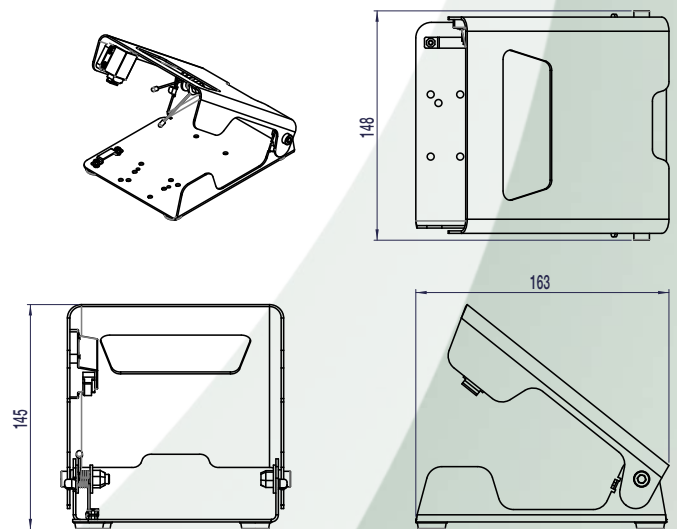


Reference dimensions

Lowered



Raised



Approx. weight 620g